

DWG. NO. SD-55022-002

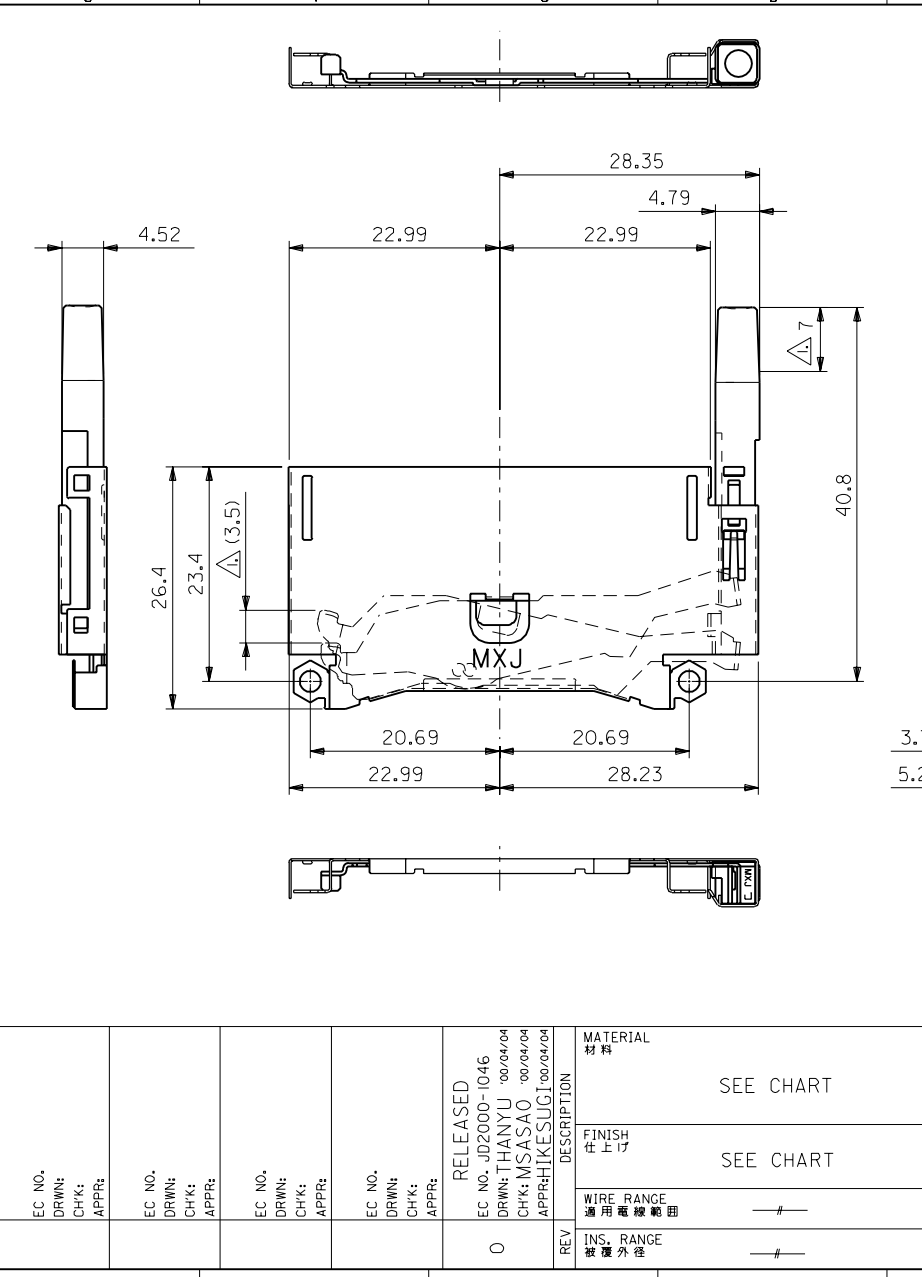
E

D

C

B

DO NOT SCALE DRAWING



No.	品名 NAME	材料 MATERIAL	仕上げ FINISH	個数 PIECE
1	METAL SHELL	ステンレス鋼 t 0.254 STAINLESS STEEL t 0.254	—	1
2	BUTTON	ガラス入りポリエスチル UL94V-0 PBT G.F. UL94V-0	—	1
3	LEVER	ステンレス鋼 t 0.4 STAINLESS STEEL t 0.4	—	1

注)
NOTES

- △ ボタンストロークが 7mm の時、カード飛び出し量は (3.5mm)。
WHEN BUTTON PUSH STROKE IS 7mm, CARD OUT BY (3.5mm).
- 2. 適合HEADER ASS'Y : 53856-5010,53927-5010
APPLICABLE HEADER ASS'Y : 53856-5010,53927-5010

YELLOW	55022-0003
BLACK	55022-0001
BUTTON COLOR	MATERIAL No.

EC NO. DRWN: CHK: APPR:	EC NO. DRWN: CHK: APPR:	EC NO. DRWN: CHK: APPR:	EC NO. DRWN: CHK: APPR:	EC NO. DRWN: CHK: APPR:	REV	DESCRIPTION	MATERIAL 材料	GENERAL TOLERANCES: (UNLESS SPECIFIED) 一般公差	SCALE 2-1	DESIGN UNITS <input checked="" type="checkbox"/> mm <input type="checkbox"/> INCH	THIRD ANGLE PROJECTION	DIMENSIONS: <input type="checkbox"/> mm <input type="checkbox"/> INCH <input checked="" type="checkbox"/> mm ONLY	SHT	REVISE ON CAD ONLY
					0	RELEASED EC No. JD2000-1046 DRWN: THANYU '00/04/04 CHK: MSASAO '00/04/04 APPR: HIKESUGI '00/04/04	SEE CHART	10 UNDER 未満 +0.2	2-1	<input checked="" type="checkbox"/> mm <input type="checkbox"/> INCH	<input type="checkbox"/> mm <input type="checkbox"/> INCH <input checked="" type="checkbox"/> mm ONLY			
							FINISH 仕上り	10 OVER 以上 30 UNDER 未満 +0.25						
							WIRE RANGE 適用電線径	30 OVER 以上 +0.3						
							INS. RANGE 被覆外径	ANGLE 角度 +3°						
DRAWN BY & DATE <i>J. Hanaya</i> '00/04/04											TITLE: CF CARD CONN. SHELL ASS'Y (FOR LEFT SIDE BUTTON)			
CHECKED BY & DATE <i>H. Saito</i> '00/04/04											APPROVED BY & DATE <i>H. Hanaya</i> '00/04/04			
CAD FILE NAME SD-55022-002.S01											MATERIAL NO. SEE CHART			
DRAWING NO. SD-55022-002											SHEET NO. 1 OF 1			
THIS DRAWING CONTAINS INFORMATION THAT IS PROPRIETARY TO MOLEX INCORPORATED AND SHOULD NOT BE USED WITHOUT WRITTEN PERMISSION.											SIZE B			

EN-02J(O97) MXJ-54

SD-55022-002-591